







For Installing RCCS-5, RCC-5, RCCS-6M, RCC-6M, RCCS-14, RCC-14

1. Safety Symbol Definitions

	<p>DANGER! - Indicates a hazardous situation which, if not avoided, will result in death or serious injury. The possible hazards are shown in the adjoining symbols or explained in the text. DANGER! - Indique une situation dangereuse qui, si elle n'est pas évitée, entraînera la mort ou des blessures graves. Les éventuels risques sont représentés par les symboles joints ou expliqués dans le texte.</p> <p style="text-align: right;">Fsafe1 2013-10</p>		<p>Beware of electric shock from wiring. Disconnect input power before installing this kit. Reinstall all panels and covers. Attention aux décharges électriques au contact des câbles. Couper l'alimentation électrique avant d'installer ce kit. Réinstaller tous les panneaux et couvercles.</p> <p style="text-align: right;">Fsafe7 2013-10</p>
	<p>Indicates a hazardous situation which, if not avoided, could result in death or serious injury. The possible hazards are shown in the adjoining symbols or explained in the text. Indique une situation dangereuse qui, si elle n'est pas évitée, entraînera la mort ou des blessures graves. Les éventuels risques sont représentés par les symboles joints ou expliqués dans le texte.</p> <p style="text-align: right;">Fsafe2 2013-10</p>		<p>Wear safety glasses with side shields. Porter des lunettes de sécurité avec écrans latéraux.</p> <p style="text-align: right;">Fsafe8 2013-10</p>
<p>NOTICE</p> 	<p>Indicates statements not related to personal injury. Signale des consignes non associées aux dommages corporels. Indicates special instructions. Fournit des instructions spéciales.</p> <p style="text-align: right;">Fsafe3 2013-10</p>		<p>Have only trained and qualified persons install, operate, or service this unit. Read the safety information at the beginning of these instructions and in each section. Call your distributor if you do not understand the directions. For WELDING SAFETY and EMF information, read owner's manual(s). Ne confiez l'installation, l'exploitation ou l'entretien de cet appareil qu'à des personnes compétentes et qualifiées. Lire les directives de sécurité au début de ces instructions et dans chaque section. Appeler votre distributeur si vous ne comprenez pas les directives. Lire le(s) manuel(s) d'utilisateur pour des renseignements sur la SÉCURITÉ DE SOUDAGE et les champs électromagnétiques.</p> <p style="text-align: right;">Fsafe15 2013-10</p>
<p>CALIFORNIA PROPOSITION 65 WARNINGS Welding or cutting equipment produces fumes or gases which contain chemicals known to the State of California to cause birth defects and, in some cases, cancer. (California Health & Safety Code Section 25249.5 et seq.) This product contains chemicals, including lead, known to the state of California to cause cancer, birth defects, or other reproductive harm. Wash hands after use. Les équipements de soudage et de coupage produisent des fumées et des gaz qui contiennent des produits chimiques dont l'Etat de Californie reconnaît qu'ils provoquent des malformations congénitales et, dans certains cas, des cancers. (Code de santé et de sécurité de Californie, chapitre 25249.5 et suivants) Ce produit contient des produits chimiques, notamment du plomb, dont l'Etat de Californie reconnaît qu'ils provoquent des cancers, des malformations congénitales ou d'autres problèmes de procréation. Se laver les mains après utilisation.</p>			

2. Software Licensing Agreement

The End User License Agreement and any third-party notices and terms and conditions pertaining to third-party software can be found at <https://www.millerwelds.com/eula> and are incorporated by reference herein.

3. Information About Default Weld Parameters And Settings

NOTICE - Each welding application is unique. Although certain Miller Electric products are designed to determine and default to certain typical welding parameters and settings based upon specific and relatively limited application variables input by the end user, such default settings are for reference purposes only; and final weld results can be affected by other variables and application-specific circumstances. The appropriateness of all parameters and settings should be evaluated and modified by the end user as necessary based upon application-specific requirements. The end user is solely responsible for selection and coordination of appropriate equipment, adoption or adjustment of default weld parameters and settings, and ultimate quality and durability of all resultant welds. Miller Electric expressly disclaims any and all implied warranties including any implied warranty of fitness for a particular purpose.

4. Electrical Diagrams

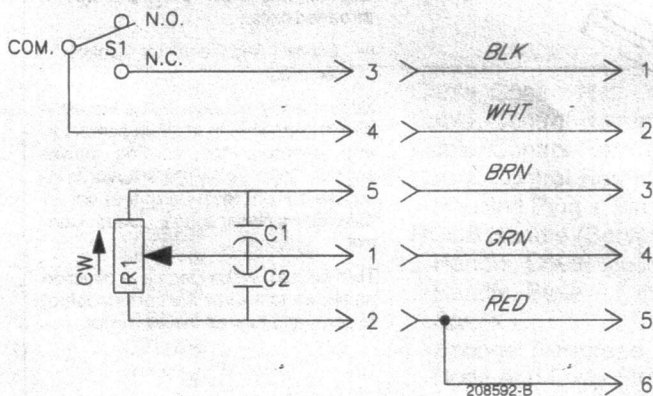


Figure 4-1.

Circuit Diagram For RCCS-6M And RCC-6M Control

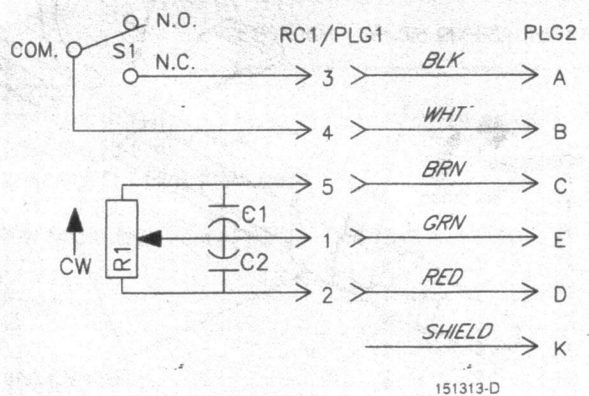
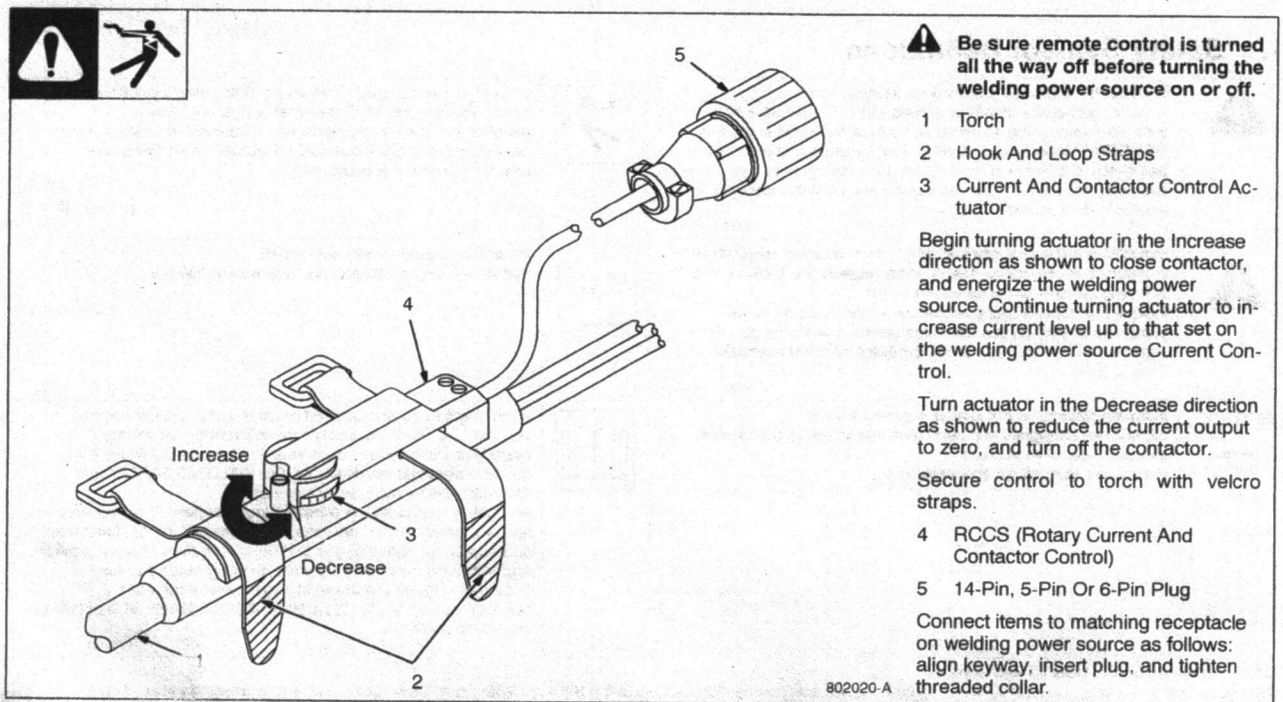


Figure 4-2.

Circuit Diagram For RCCS-5, RCC-5, RCCS-14, And RCC-14

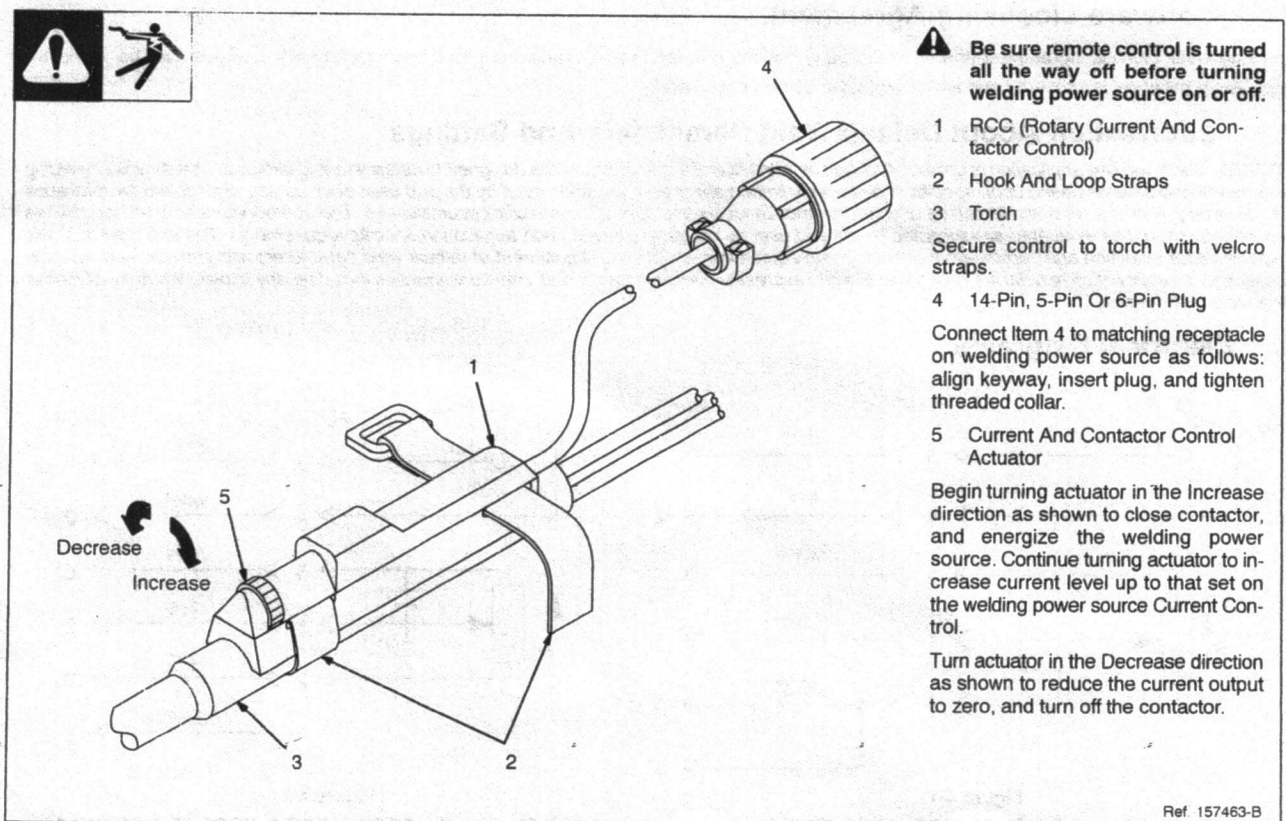
5. Installing And Operating An RCCS Control

The RCCS (Rotary Current And Contactor Control) is equipped with a 14-pin, 5-pin, or a 6-pin plug for connection to the welding power source. Contact your local distributor for correct adapter if plug does not mate with receptacle on welding power source.



6. Installing And Operating An RCC Control

The RCC (Rotary Current And Contactor Control) is equipped with a 14-pin, 6-pin, or a 5-pin plug for connection to the welding power source. Contact your local distributor for correct adapter if plug does not mate with receptacle on welding power source.



7. Parts List

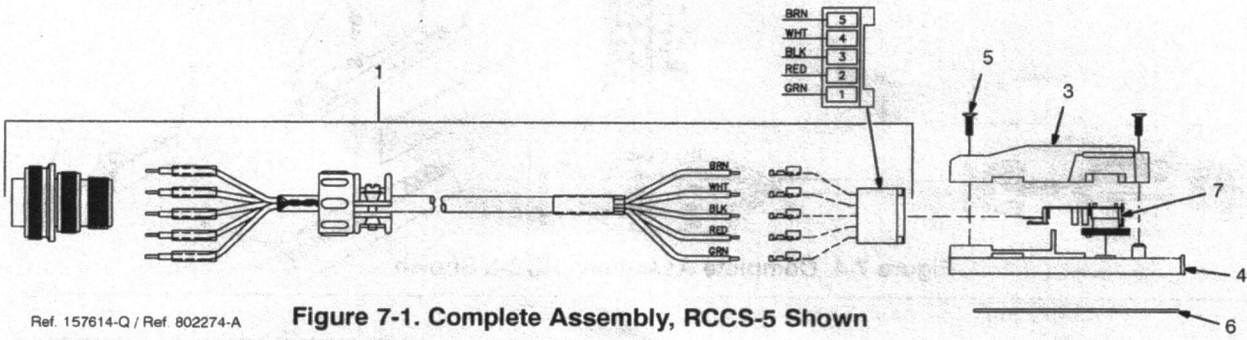


Figure 7-1. Complete Assembly, RCCS-5 Shown

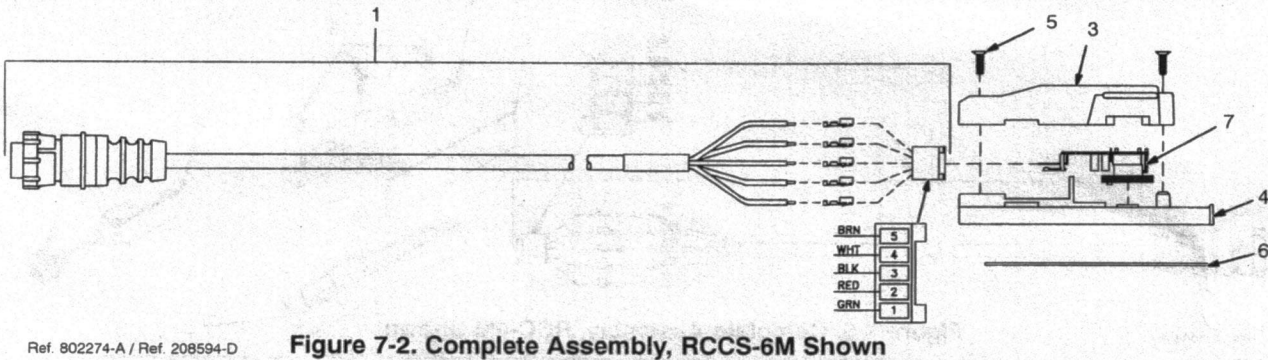


Figure 7-2. Complete Assembly, RCCS-6M Shown

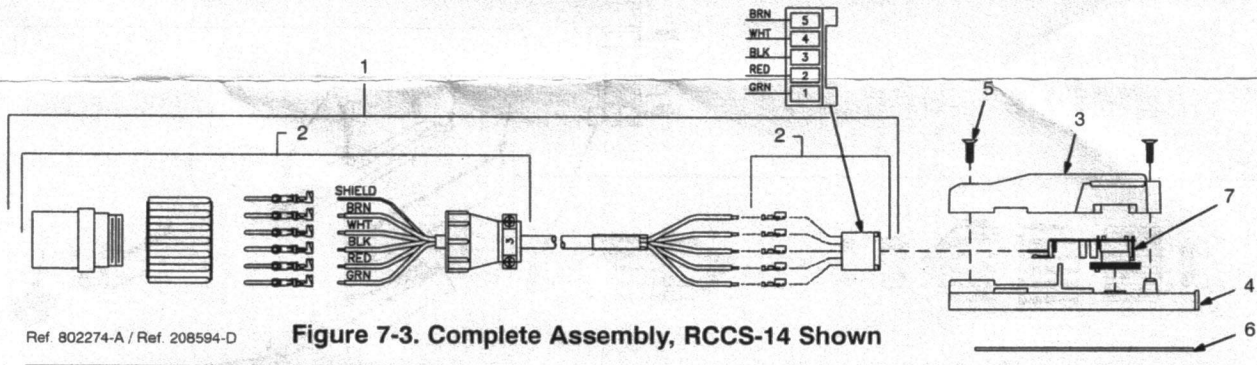
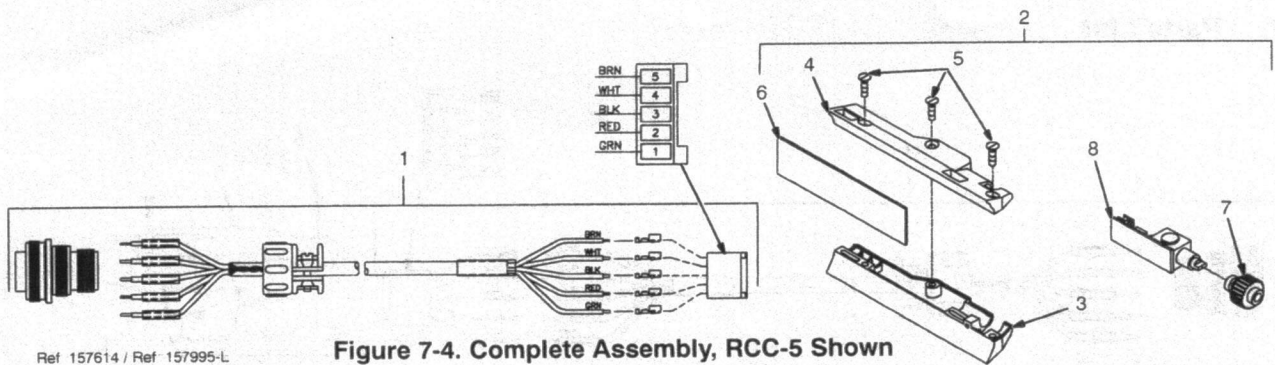


Figure 7-3. Complete Assembly, RCCS-14 Shown

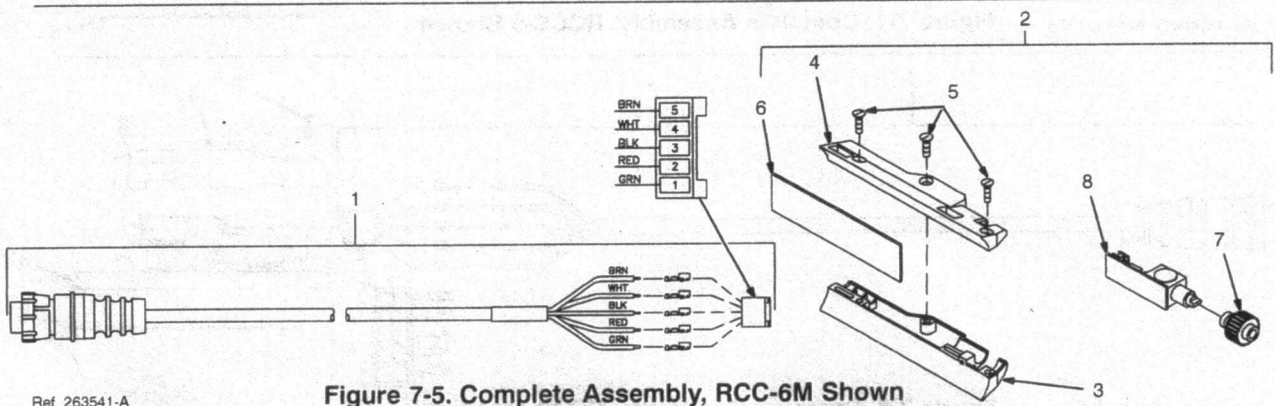
Item No.	Part No.	Description	Quantity			
			RCCS-5	RCCS-6	RCCS-6	RCCS-14
			26Ft-6In	13Ft-3In	26Ft-6In	26Ft-6In
1	278463	Cable, Control Remote 26Ft 6In (5-Pin)	1			
1	278462	Cable, Control Remote 13Ft 3In (6-Pin)		1		
1	278461	Cable, Control Remote 26Ft 6In (6-Pin)			1	
1	278460	Cable, Control Remote 26Ft 6In (14-Pin) (Includes)				1
2	144310	Housing Plug + Pin				1
	279968	RCCS Handle (Service Kit) (Includes)	1	1	1	1
3	185419	Handle, Cover	1	1	1	1
4	185418	Handle, Base	1	1	1	1
5	216384	Screw	3	3	3	3
6	155146	Sponge, Neoprene	1	1	1	1
	151314	Hook And Loop Strap (Not Shown)	2	2	2	2
7	229261	Circuit Card Assy	1	1	1	1

Use only Manufacturer's Suggested Replacement Parts. Model number required when ordering parts.



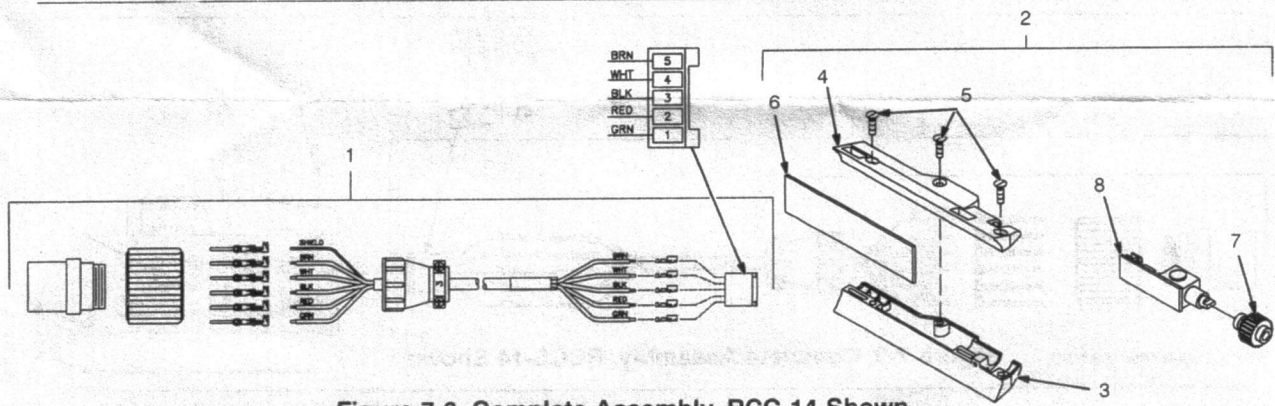
Ref 157614 / Ref 157995-L

Figure 7-4. Complete Assembly, RCC-5 Shown



Ref 263541-A

Figure 7-5. Complete Assembly, RCC-6M Shown



Ref 151312-P / Ref 263541-A

Figure 7-6. Complete Assembly, RCC-14 Shown

Item No.	Part No.	Description	Quantity			
			RCC-5	RCC-6	RCC-6	RCC-14
			26Ft-6In	13Ft-3In	26Ft-6In	26Ft-6In
1	278463	Cable, Control Remote 26Ft 6In (5-Pin)	1			
1	278462	Cable, Control Remote 13Ft 3In (6-Pin)		1		
1	278461	Cable, Control Remote 26Ft 6In (6-Pin)			1	
1	278460	Cable, Control Remote 26Ft 6In (14-Pin)				1
2	282159	Switch, Control	1	1	1	1
3		Handle, LH	1	1	1	1
4		Handle, RH	1	1	1	1
5		Screw	4	4	4	4
6		Sponge, Neoprene	1	1	1	1
		Hook And Loop Strap (Not Shown)	2	2	2	2
7		Actuator, Assy	1	1	1	1
8		Circuit Card Assy	1	1	1	1

Use only Manufacturer's Suggested Replacement Parts. Model number required when ordering parts.